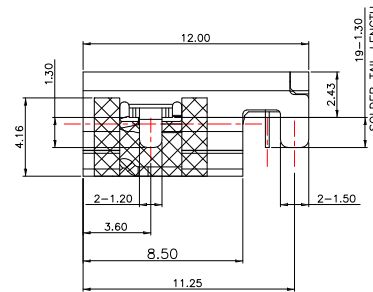
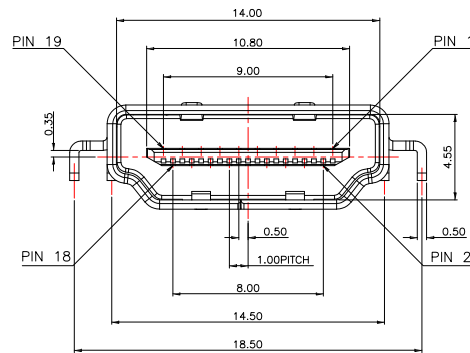


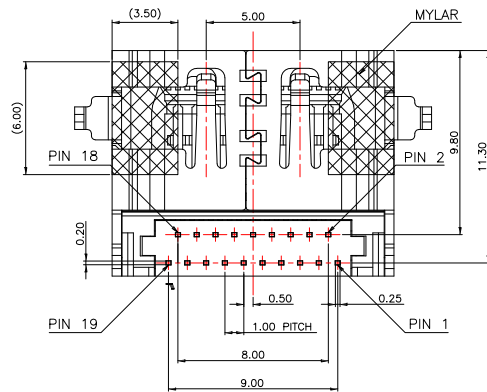
RECOMMENDED PCB LAYOUT(TOP VIEW)



HDMI-19P-D08x-S273

鍍層厚度 :

| |
|-------------|
| Blank : 1u" |
| 2 : 15u" |
| 3 : 30u" |



| PIN | Signal Assignment |
|-----|---------------------------|
| 1 | TMDS Data2+ |
| 2 | TMDS Data2 Shield |
| 3 | TMDS Data2- |
| 4 | TMDS Data1+ |
| 5 | TMDS Data1 Shield |
| 6 | TMDS Data1- |
| 7 | TMDS Data0+ |
| 8 | TMDS Data0 Shield |
| 9 | TMDS Data0- |
| 10 | TMDS Clock+ |
| 11 | TMDS Clock Shield |
| 12 | TMDS Clock- |
| 13 | CEC |
| 14 | Reserved (N.C. on device) |
| 15 | SCL |
| 16 | SDA |
| 17 | DDC/CEC Ground |
| 18 | +5V Power |
| 19 | Hot Plug Detect |

Material:

- Housing: LCP
- Contact: Brass
- Shell: Stainless Steel

Finish:

- Contact: Plated Gold in Mating Area ;
Gold Plated on Solder Balls ;
Nickel under plated overall
- Shell: Nickel under Plated surface layer



TOLERANCE UNLESS OTHERWISE STATED :
Up to 5 ±0.2
Above 5 ~ 15 ±0.3
Above 15 ~ 30 ±0.4
Above 30 ~ 50 ±0.5
Angle ±0.3

3RD. ANGEL'S



UNITS MM

| | | | | |
|--------------|----------|-----------|----------|------------------------------|
| DRAWN BY: | DATE | MAT'L | TITLE | CONNECTOR |
| Jack Lu | 03/16/18 | | | |
| CHECKED BY: | DATE | FINISH | MODLE | HDMI A/F 沉板式 DIP 板上 H:2.43mm |
| Jacky Chen | 03/16/18 | | | |
| APPROVED BY: | DATE | SCALE | DWG NO. | HDMI-19P-D08x-S273 |
| Tony Kao | 03/16/18 | 1 : 1 | | |
| | | SHEET NO. | PART NO. | HDMI-19P-D08x-S273 |
| | | 1 of 1 | | |
| | | | | SIZE A4 |
| | | | | VER R2 |

| | | | |
|----------|-------------|-------|--------|
| 2 | 更新尺寸 | Jack | 031618 |
| 1 | 更新圖面 | Jack | 110717 |
| ITEM NO. | DESCRIPTION | DRAWN | DATE |